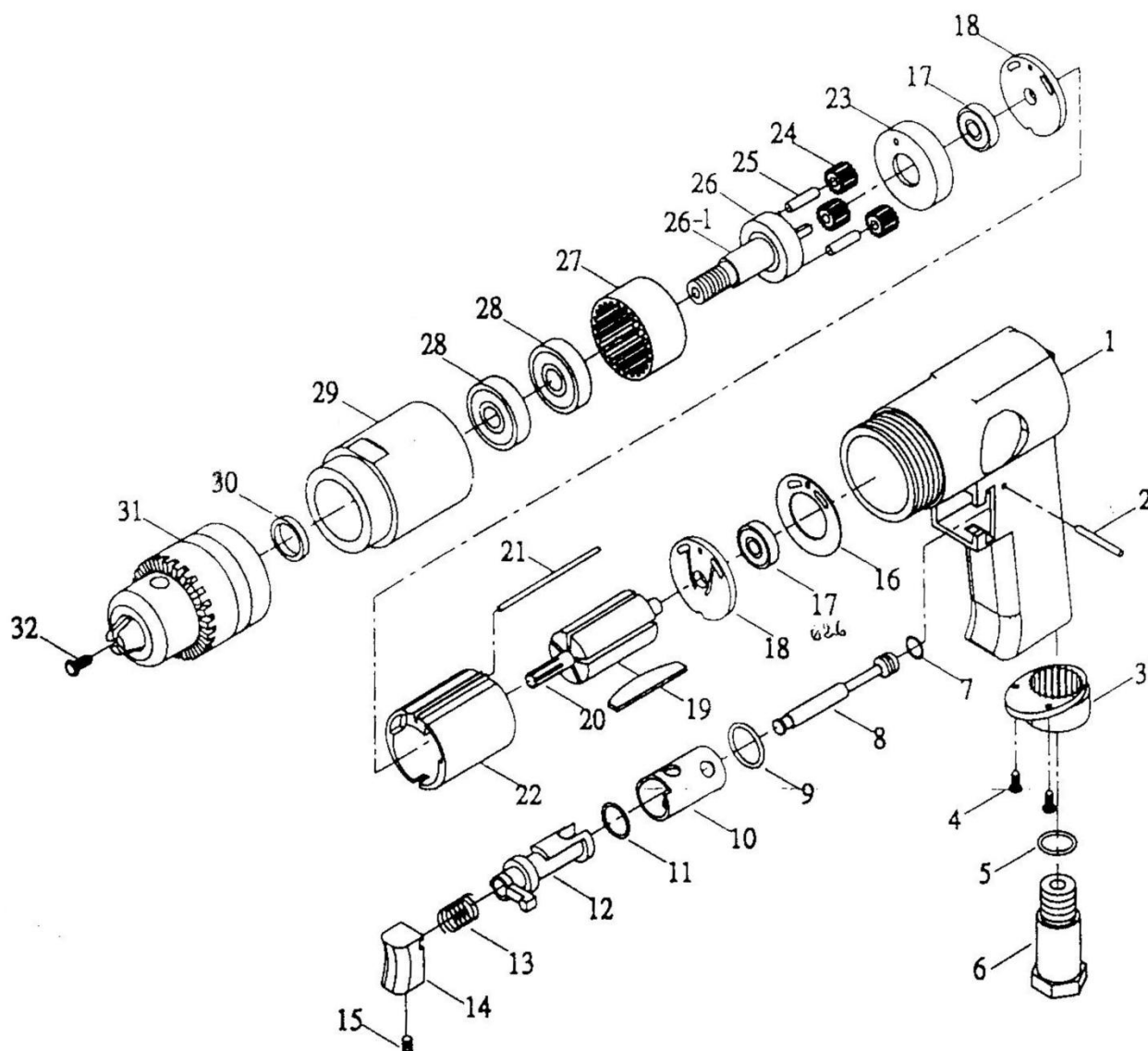


ДРЕЛЬ ПНЕВМАТИЧЕСКАЯ YOSHI D817



Поз.	Код	Наименование	Кол-во
1	KL-30401	Housing	1
2	KL-30402	Spring Pin	1
3	KL-30403	Muffler	1
4	KL-30404	Screw	2
5	KL-30405	O-Ring	1
6	KL-30406	Inlet	1
7	KL-30407	O-Ring	1
8	KL-30408	Throttle Pin	1
9	KL-30409	O-Ring	1
10	KL-30410	Reverse Bushing	1
11	KL-30411	O-Ring	1
12	KL-30412	Reverse Lever	1
13	KL-30413	Spring	1
14	KL-30414	Trigger	1
15	KL-30415	Screw	1
16	KL-30416	Motor Packing	1
17	KL-30417	Bearing	2

Поз.	Код	Наименование	Кол-во
18	KL-30418	End Plate	2
19	KL-30419	Rotor Blade	5
20	KL-30420	Rotor	1
21	KL-30421	Pin	1
22	KL-30422	Cylinder	1
23	KL-30423	Spacer	1
24	KL-30424	Gear	3
25	KL-30425	Pin	3
26	KL-30426	Gear Plate	1
26-1	KL-30426-1	Work Spindle	1
27	KL-30427	Internal Gear	1
28	KL-30428	Bearing	2
29	KL-30429	Clamp Nut	1
30	KL-30430	Washer	1
31	KL-30431	Chuck 3/8"	1
32	KL-30432	Screw	1